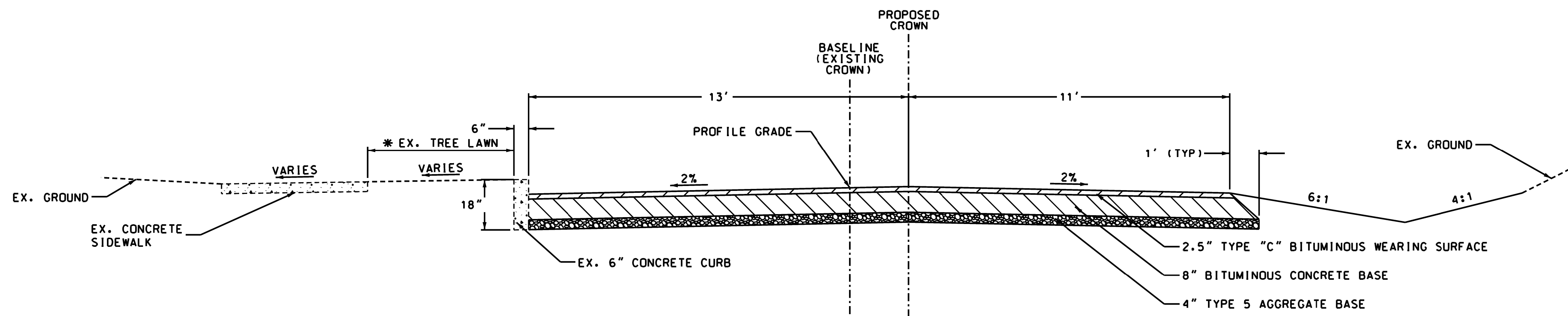


MOSLEY ROAD TYPICAL SECTION - OPTION 1A

MILL & OVERLAY WITH OPEN DRAINAGE ON EAST SIDE

* EX. TREE LAWN WIDTH APPROX. 5' FROM STA 12+35 - STA 27+00

* SIDEWALK AT BACK OF CURB FROM STA 27+00 - STA 66+15



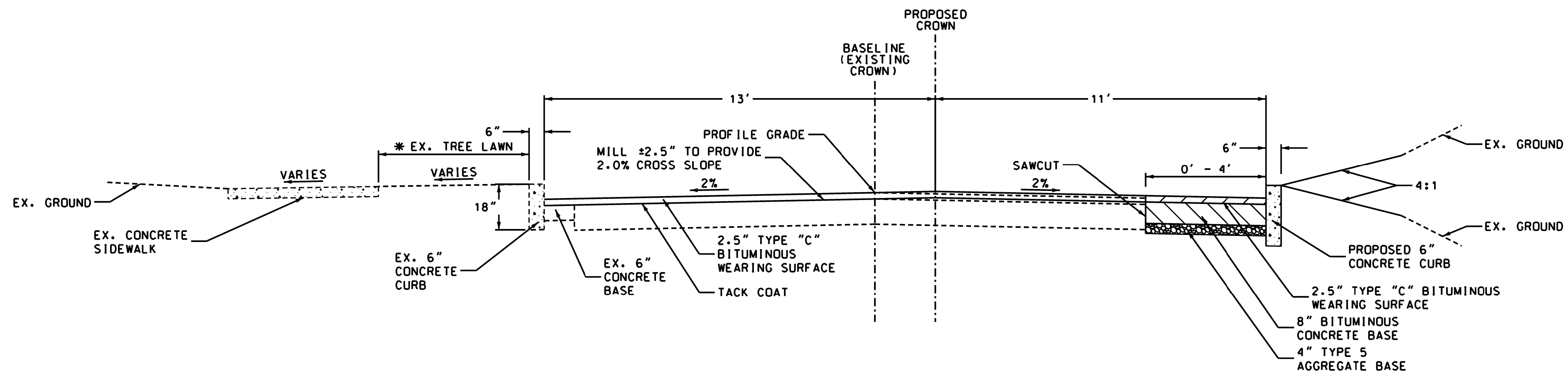
MOSLEY ROAD TYPICAL SECTION - OPTION 1B

FULL DEPTH RECONSTRUCTION WITH OPEN DRAINAGE ON EAST SIDE

* EX. TREE LAWN WIDTH APPROX. 5' FROM STA 12+35 - STA 27+00

* SIDEWALK AT BACK OF CURB FROM STA 27+00 - STA 66+15

NOTE: TYPICAL SECTIONS LOOKING
NORTH ALONG MOSLEY ROAD

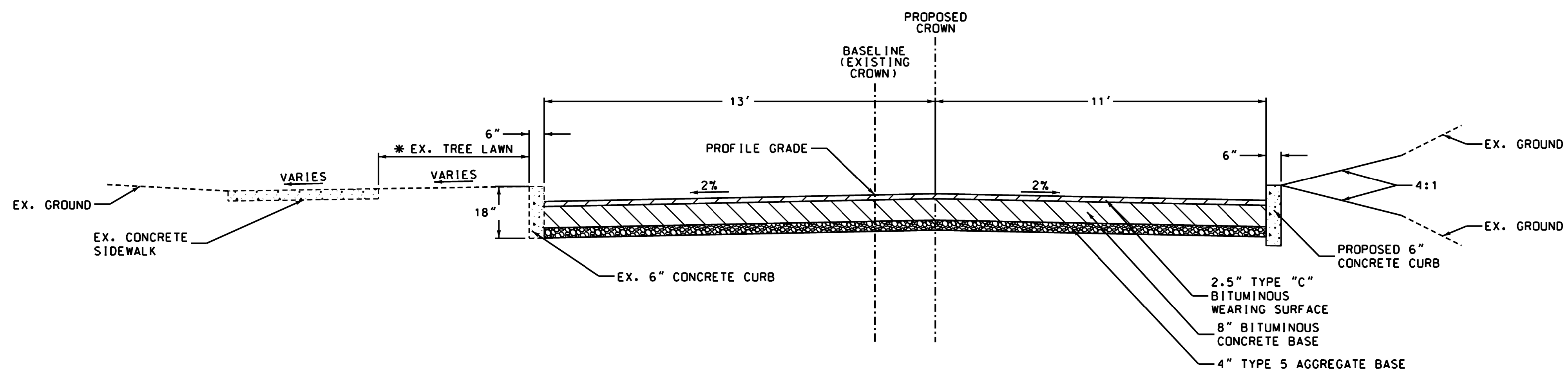


MOSLEY ROAD TYPICAL SECTION - OPTION 2A

MILL & OVERLAY WITH PROPOSED CURB ON EAST SIDE

* EX. TREE LAWN WIDTH APPROX. 5' FROM STA 12+35 - STA 27+00

* SIDEWALK AT BACK OF CURB FROM STA 27+00 - STA 66+15



MOSLEY ROAD TYPICAL SECTION - OPTION 2B

FULL DEPTH RECONSTRUCTION WITH PROPOSED CURB ON EAST SIDE

* EX. TREE LAWN WIDTH APPROX. 5' FROM STA 12+35 - STA 27+00

* SIDEWALK AT BACK OF CURB FROM STA 27+00 - STA 66+15

NOTE: TYPICAL SECTIONS LOOKING
NORTH ALONG MOSLEY ROAD